

Hemisphere

7506

3-Light Linear
Pendant

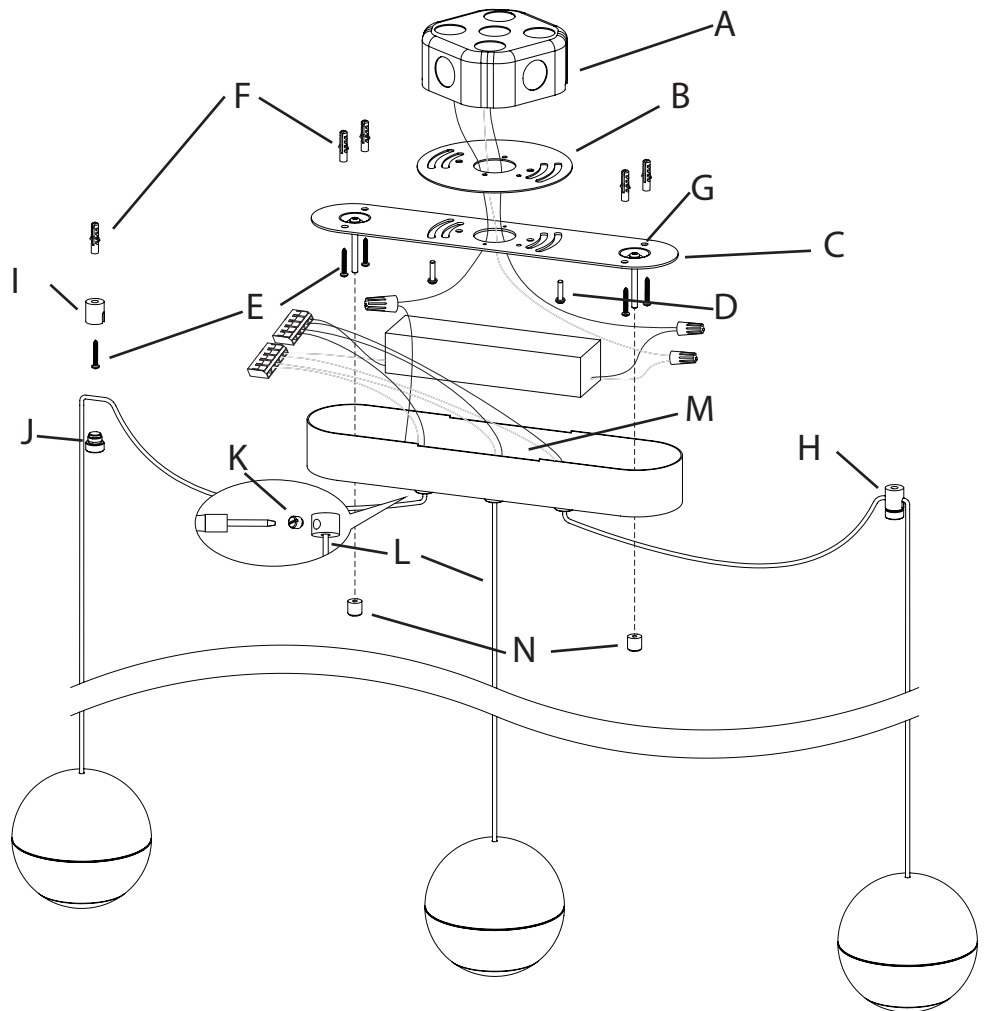
Product Information and Warnings

IMPORTANT

- **Always disconnect the power before installing or replacing Luminaires and before cleaning or other maintenance.**
 - **Consult a qualified, licensed electrician to ensure correct branch circuit conductor.**
 - ***Consulter un électricien qualifié pour vous assurer que les conducteurs de la dérivation sont adéquats.***
-
- Please read all included assembly instructions and warnings carefully before installation. Contact Customer Service if you have any questions or concerns. Before installation, please confirm that the fixture is compatible with your supply voltage and dimming system, if present.
 - LEDs are highly sensitive electronic devices, and must be treated with care. Do not open any factory sealed compartments, and avoid touching the LEDs with your hands or any object.
 - Although all our fixtures are equipped with protective devices, LED electronic systems are vulnerable to power surges and supply variations. Do not install LED fixtures on the same circuit as any motors, appliances, or HVAC systems.
 - Do not remove or bypass any LED Driver or Transformer that is provided with the fixture, and do not replace or substitute with another power supply.
 - Fixtures must be wired in parallel on independent leads; do not "daisy chain" multiple fixtures together or wire them in series.
 - All factory-made splices and connections must remain intact. LED circuits are carefully designed and built, and improper connections may damage the fixture.
 - The ends of coaxial pendant cords have been precisely stripped and split at the factory and must not be field cut. Excess cord or cable should be neatly coiled and reserved in the fixture canopy.
 - Any mounting hardware is provided for your convenience and should be used with discretion. Always use the appropriate hardware for the mounting surface.

This fixture includes an optional cover plate for use if installing over an existing outlet box. For installation using this plate, follow these steps:

1. Shut off power to the outlet box (A).
2. Determine the approximate height at which each luminaire is to be hung. For the outer pendants, consider how much droop you would like between the canopy and the swag hook (H). Use the included screwdriver to loosen the slotted set screw (K). Adjust length of power cord (L). Tighten the set screw to set. Reserve extra cord in the canopy.
3. Make appropriate electrical connections using wire nuts:
 - a. Connect the power supply's live wire to the live supply wire.
 - b. Connect the power supply's neutral wire to the neutral supply wire.
 - c. Connect the fixture's ground wire (green or uncoated) to the ground supply wire. If no ground wire is present in the outlet box, connect ground wire to the mounting plate (C) using the green screw (included).
 - d. Carefully place power supply and electrical connections in canopy (M).
4. Use the outlet box screws (D) to attach the cover plate (B) and mounting plate (C) to the outlet box (A). Use drywall screws (E) and optional anchors (F), or other appropriate hardware, to attach mounting plate to ceiling through outer mounting holes (G).
5. Locate the canopy (M) over the mounting plate (C) so that the threaded rods at each end protrude through the holes in the canopy. Secure the canopy by screwing the canopy nuts (N) onto the threaded rods.
6. Determine the hanging location for two (2) outer pendants. Attach each swag hook base (I) at its hanging location using a drywall screw (E) and optional anchor (F) or other appropriate hardware. Take care to orient the swag hook base with the slot in the desired direction (usually in line with the length of the canopy). Note: pendant drops approximately 1/2" past center point of swag hook (H).
7. For each outer luminaire, insert the cord into the slot in the swag hook base (I). Screw the swag hook cap (J) into the swag base and tighten. To adjust the cord, loosen the swag hook cap, gently pull the cord in the desired direction, and then tighten the swag cap to fix.
8. Restore power to the outlet box (A).



Note:

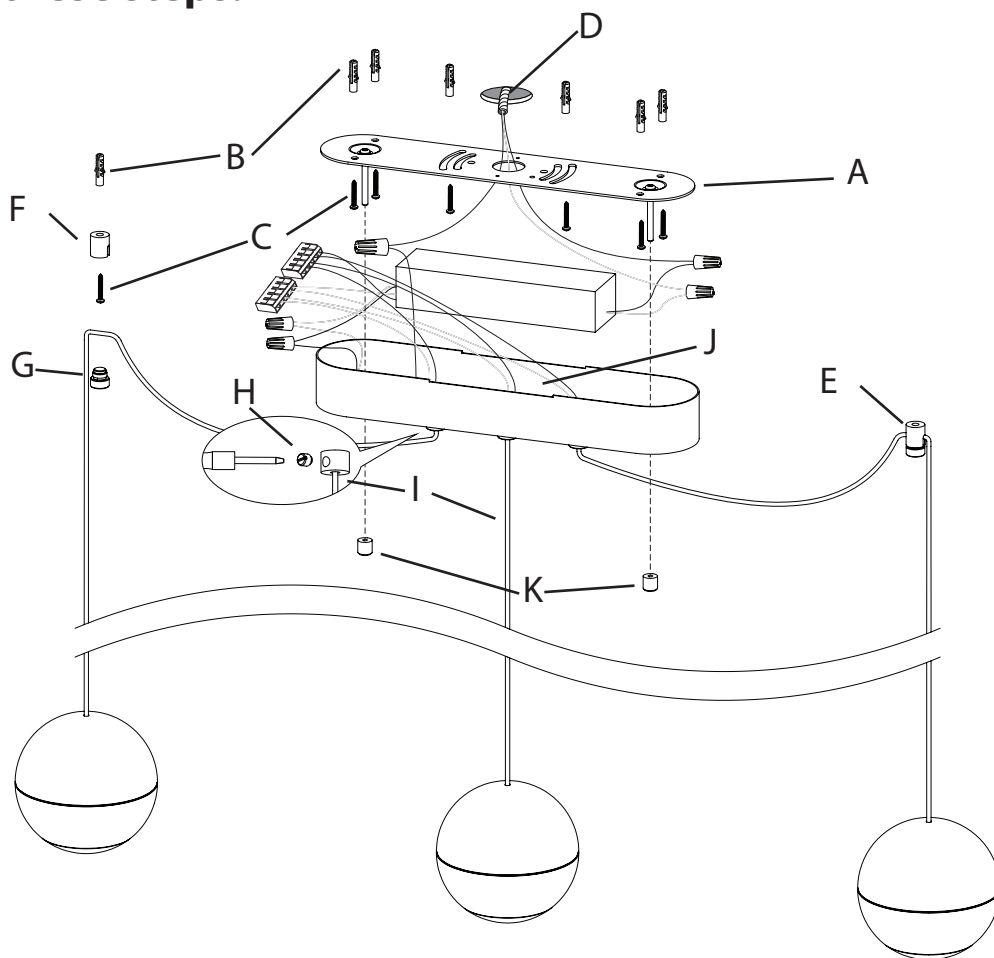
- **This fixture is dimmable with Electronic Low Voltage (Trailing-Edge), Incandescent (Leading-Edge), and 0-10V type dimmers only.**

Care Instructions:

Use a clean, dry cloth when dusting. To protect the finish, avoid any harsh abrasives or chemicals.

This fixture includes an optional cover plate for use if installing over an existing outlet box. For installation without an outlet box, follow these steps:

1. Shut off power to the branch circuit.
2. Determine the approximate height at which each luminaire is to be hung. For the outer pendants, consider how much droop you would like between the canopy and the swag hook (E). Use the included screwdriver to loosen the slotted set screw (H). Adjust length of power cord (I). Tighten the set screw to set. Reserve extra cord in the canopy.
3. Locate the mounting position of the canopy and cut a hole at the center. Bring the 120V branch circuit conductors (D) through the ceiling and attach the branch circuit conductors to the center knockout on the mounting plate (A) using an appropriate connector (not included).
4. Make appropriate electrical connections using wire nuts:
 - a. Connect the power supply's live wire to the live supply wire.
 - b. Connect the power supply's neutral wire to the neutral supply wire.
 - c. Connect the fixture's ground wire (green or uncoated) to the ground supply wire. If no ground wire is present in the outlet box, connect ground wire to the mounting plate (A) using the green screw (included).
 - d. Carefully place power supply and electrical connections in canopy (J).
5. Using drywall screws (C) and anchors (B) or other hardware as appropriate, attach the mounting plate (A) to the ceiling. Take care to secure the center and both ends of the plate.
6. Locate the canopy (J) over the mounting plate (A) so that the threaded rods at each end protrude through the holes in the canopy. Secure the canopy by screwing the canopy nuts (K) onto the threaded rods.
7. Determine the hanging location for two (2) outer pendants. Attach each swag hook base (F) at its hanging location using a drywall screw (C) and optional anchor (B) or other appropriate hardware. Take care to orient the swag hook base with the slot in the desired direction (usually in line with the length of the canopy). Note: pendant drops approximately 1/2" past center point of swag hook (E).
8. For each outer luminaire, insert the cord into the slot in the swag hook base (F). Screw the swag hook cap (G) into the swag base and tighten. To adjust the cord, loosen the swag hook cap, gently pull the cord in the desired direction, and then tighten the swag cap to fix.
9. Restore power to the branch circuit.



Note:

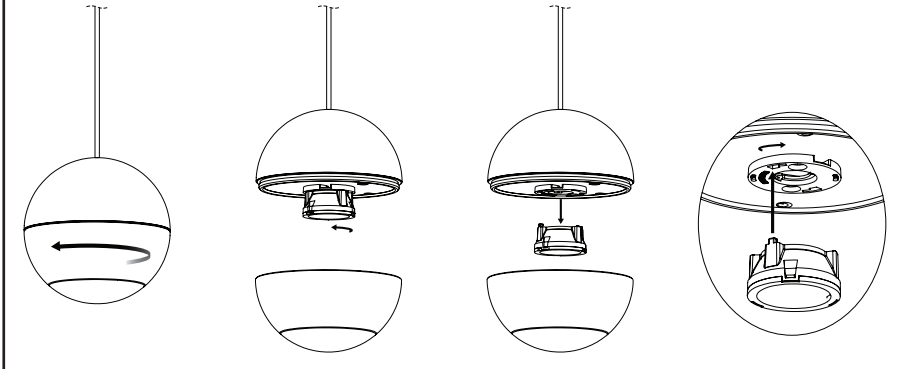
- **This fixture is dimmable with Electronic Low Voltage (Trailing-Edge), Incandescent (Leading-Edge), and 0-10V type dimmers only.**

Care Instructions:

Use a clean, dry cloth when dusting. To protect the finish, avoid any harsh abrasives or chemicals.

NOTE: Each luminaire arrives pre-assembled with a flood lens. There is also a spot lens included in the package. To change the lens, follow these steps:

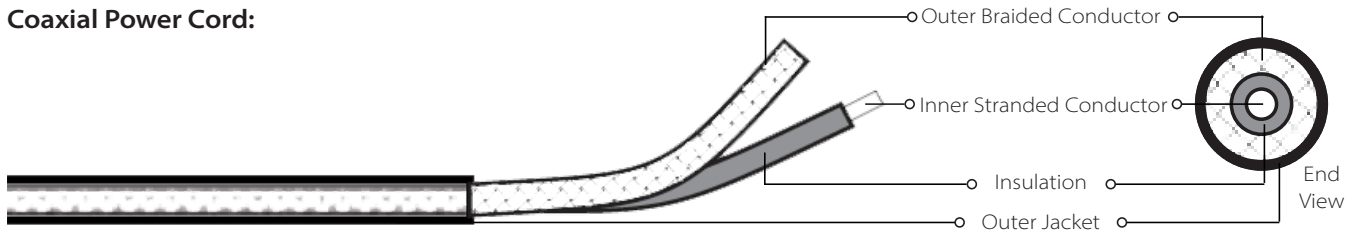
1. Unscrew and detach the bottom half of the sphere.
2. Remove the lens by rotating the lens holder collar counterclockwise until it releases.
3. Insert the preferred lens by aligning the tabs on the collar with the holes in the lens holder base and rotating clockwise.
4. Close the sphere by screwing the bottom half back on.



Coax Splicing

FAILURE TO FOLLOW THESE INSTRUCTIONS WILL VOID THE WARRANTY

Coaxial Power Cord:



If field-cutting is required, please follow these instructions:

1. Make a 1" slice along the length of the cord's outer jacket (Fig. 1).
CAUTION: Do not cut through the outer braided conductor.
2. Carefully strip the outer jacket of the cord and keep the outer braided conductors intact (Fig. 1).
3. Slide the outer braided conductor back to create a bulge and reveal the inner stranded conductor (Fig. 2).
4. Bend the cord to create an opening through the bunched-up portion of outer braided conductor, then pull out the inner stranded conductor (Fig. 3)
5. Twist together the outer braided conductor to form the negative wire of the fixture, then strip 5/8" off the end of the inner stranded conductor to form the positive wire of the fixture (Fig. 4).
6. Re-splice all power cords.

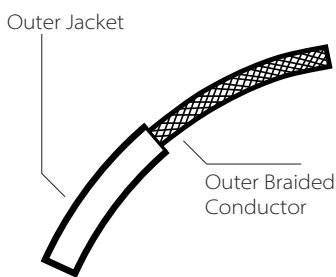


Fig. 1

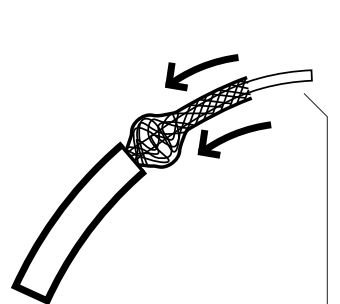


Fig. 2

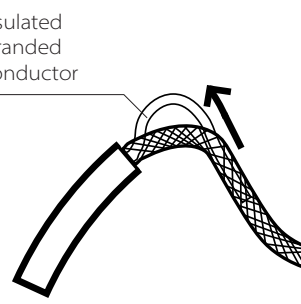


Fig. 3

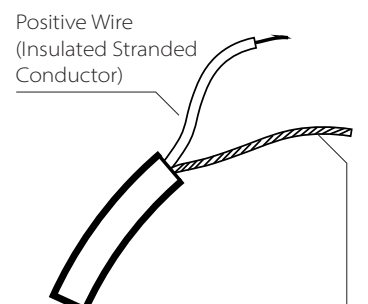


Fig. 4

Negative Wire
(Outer Braided Conductor)