

LED Product Information and Warnings

Important

- **Always disconnect the power before installing or replacing bulbs and before cleaning or other maintenance.**
- **Consult a qualified, licensed electrician to ensure correct branch circuit conductor.**
- Please read all included assembly instructions and warnings carefully before installation. Contact Customer Service if you have any questions or concerns. Before installation, please confirm that the fixture is compatible with your supply voltage and dimming system, if present.
- LEDs are highly sensitive electronic devices, and must be treated with care. Do not open any factory sealed compartments, and avoid touching the LEDs with your hands or any object.
- Although all our fixtures are equipped with protective devices, LED fixtures are vulnerable to power surges and supply variations. Do not install LED fixtures on the same circuit as any motors, appliances, or HVAC systems.
- Do not remove or bypass any LED Driver or Transformer that is provided with the fixture, and do not replace or substitute with another power supply.
- Remote LED Driver or Transformer installation must be done by a licensed electrician and in accordance with local codes. Remote installations should be in an accessible location, as close to the fixture as possible.
- Fixtures must be wired in parallel on independent leads; do not "daisy chain" multiple fixtures together or wire them in series.
- All factory-made splices and connections must remain intact. LED circuits are carefully designed and built, and improper connections may damage the fixture.
- The ends of coaxial pendant cords have been precisely stripped and split at the factory and must not be field cut. Excess cord or cable should be neatly coiled and reserved in the fixture canopy.
- Any mounting hardware is provided for your convenience and should be used with discretion. Always use the appropriate hardware for the mounting surface.

Assembly Instructions

CST.3111.xxx-xx

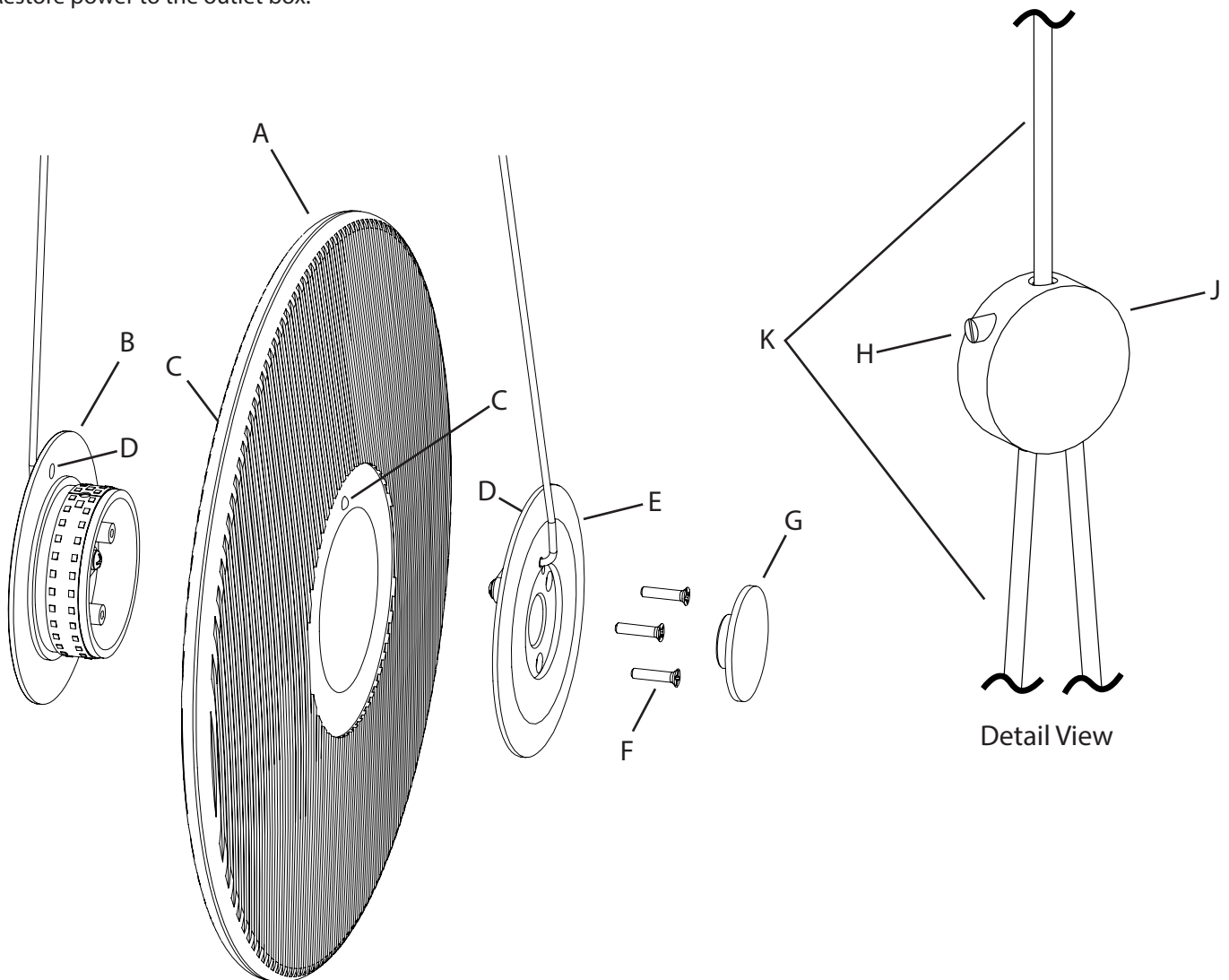
INSTRUCTIONS D'INSTALLATION

Meclisse Series - LED Pendant Cordset

Important

- **Always disconnect the power before installing or replacing bulbs and before cleaning or other maintenance.**
- **Consult a qualified, licensed electrician to ensure correct branch circuit conductor.**
Consulter un électricien qualifié pour vous assurer que les conducteurs de la dérivation sont adéquats.

1. Shut off power to the outlet box.
2. Remove finial (G) by using fingers to gently rotate counterclockwise. Remove plate screws (F), LED plate (B), and cover plate (E) from glass (A). Set glass, screws, and finial aside in a clean and safe area. **Note:** Do not touch the LEDs.
3. Install canopy and cordset(s) using the corresponding assembly instructions. **Note:** As needed, connect LED plate (B) and cover plate (E) together with one plate screw (F) during cordset installation. Remove screw before reinstalling glass (A).
4. Slide glass (A) onto LED plate (B), aligning the bump in the glass (C) with the divot in the plate (D). Attach cover plate (E), also aligning bump and divot, and secure with plate screws (F). Screw on finial (G) by gently rotating clockwise.
5. If necessary for leveling, loosen upper set screw (H) in cord splitter (J) (see Detail View). Adjust same side cord (K) as needed until glass is level. Tighten set screw.
6. Restore power to the outlet box.



Care Instructions

- **Dusting: Use a clean, dry cloth.**
- **Cleaning: To protect the finish, avoid any harsh abrasives or chemicals.**